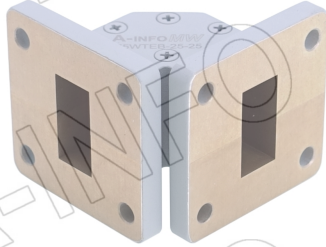
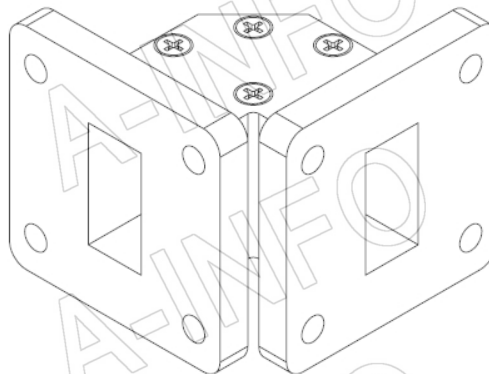
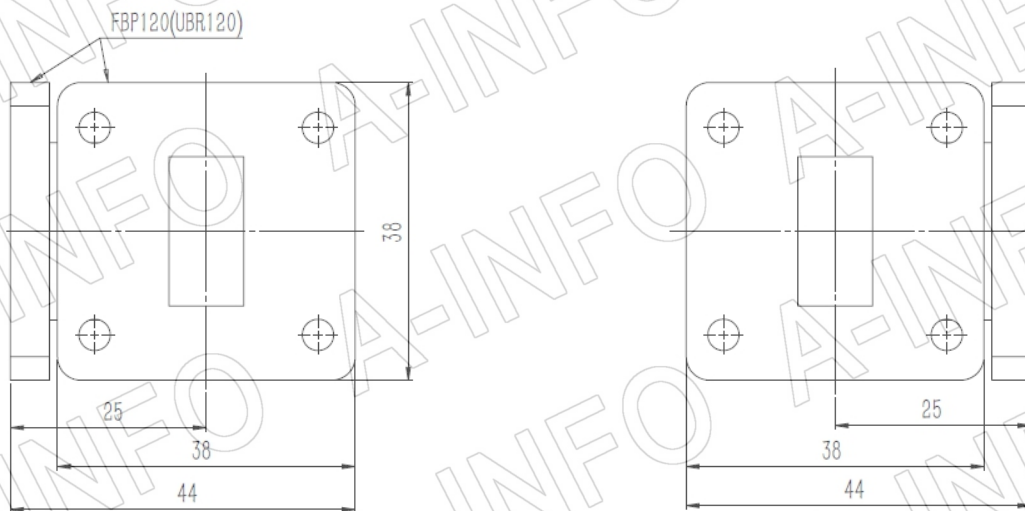


Technical Specification

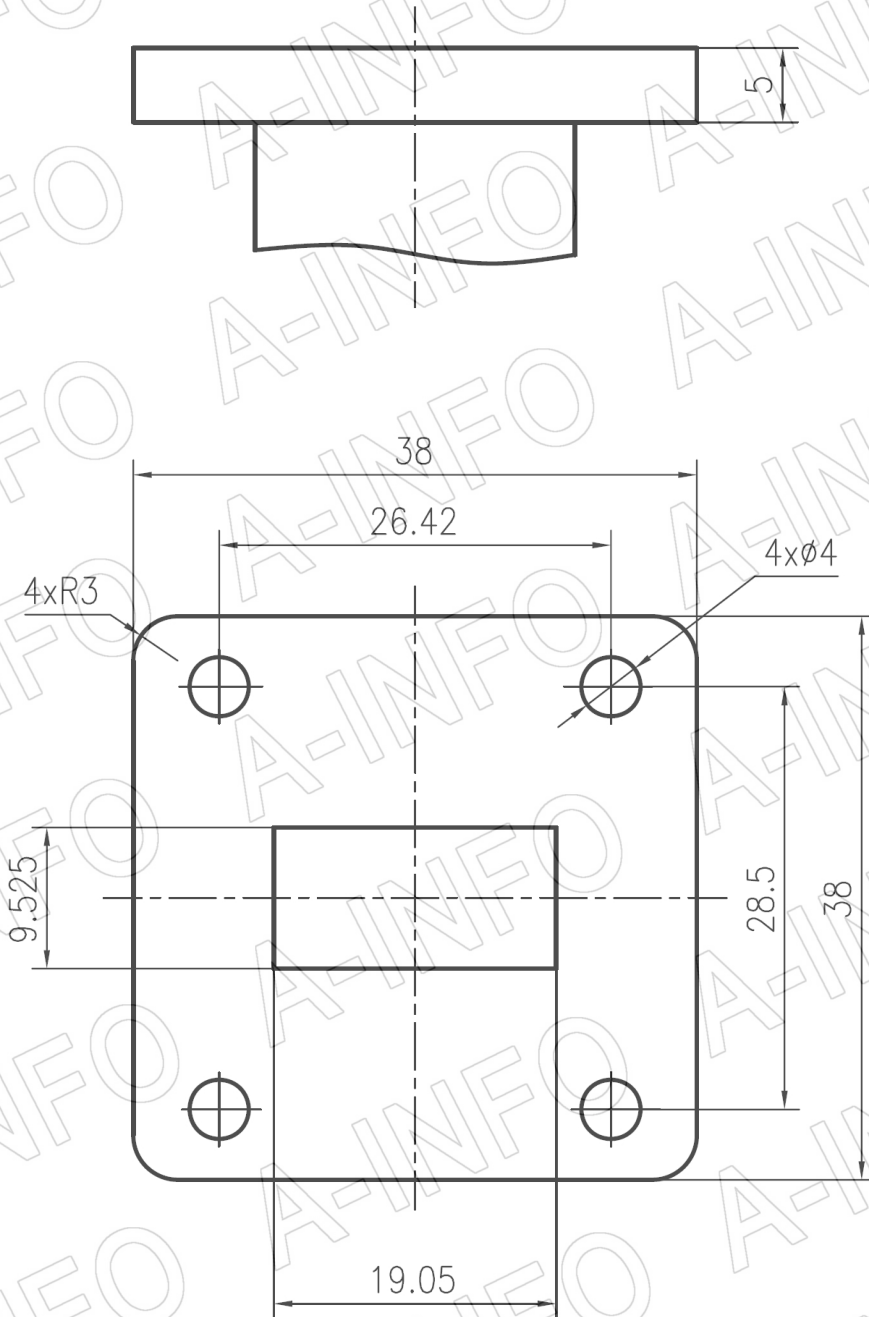


EIA WR	WR75
Frequency Range (GHz)	10.0 – 15.0
Insertion Loss(dB)	0.1 Max.
VSWR	1.20:1 Max.
Flange	FBP120(UBR120)
Material	Al
Finish	Chemical Conversion Coating, Gray Paint
Size(mm)	44 x 44 x 38
Net Weight(Kg)	0.07 Around

Outline Drawing (Size: mm)



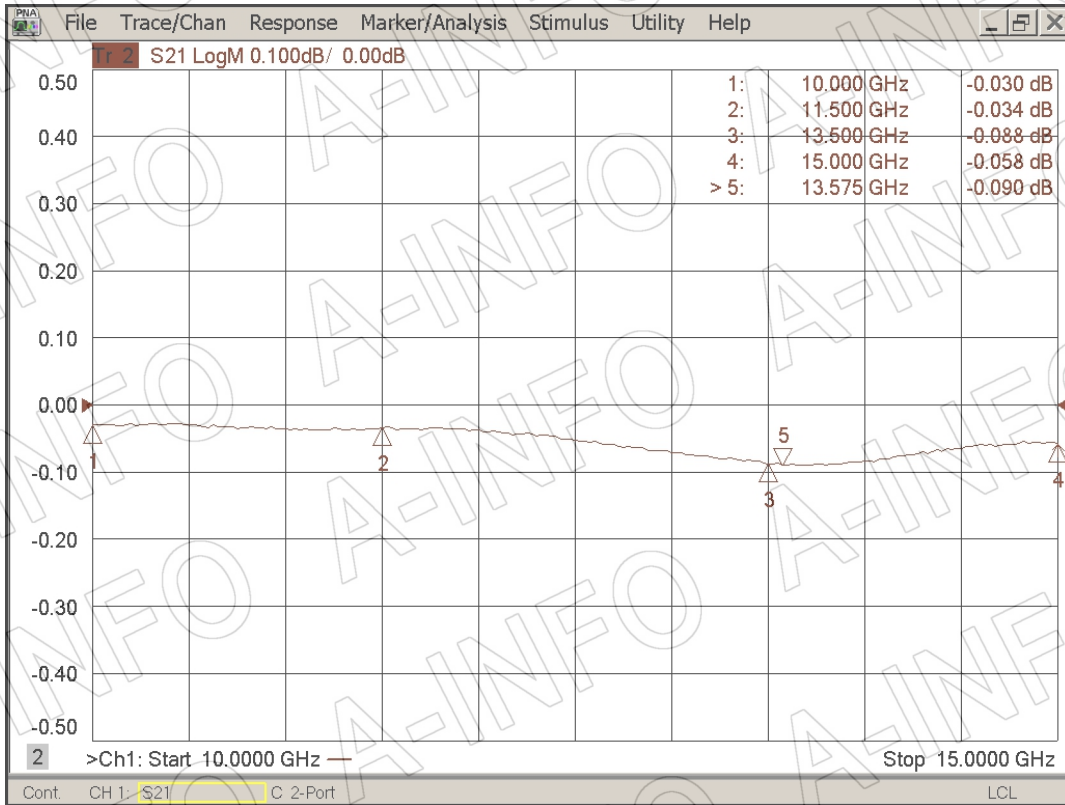
Flange Drawing (Size: mm)



FBP120

Test Results

Insertion Loss



VSWR

